



PARTS MANUAL

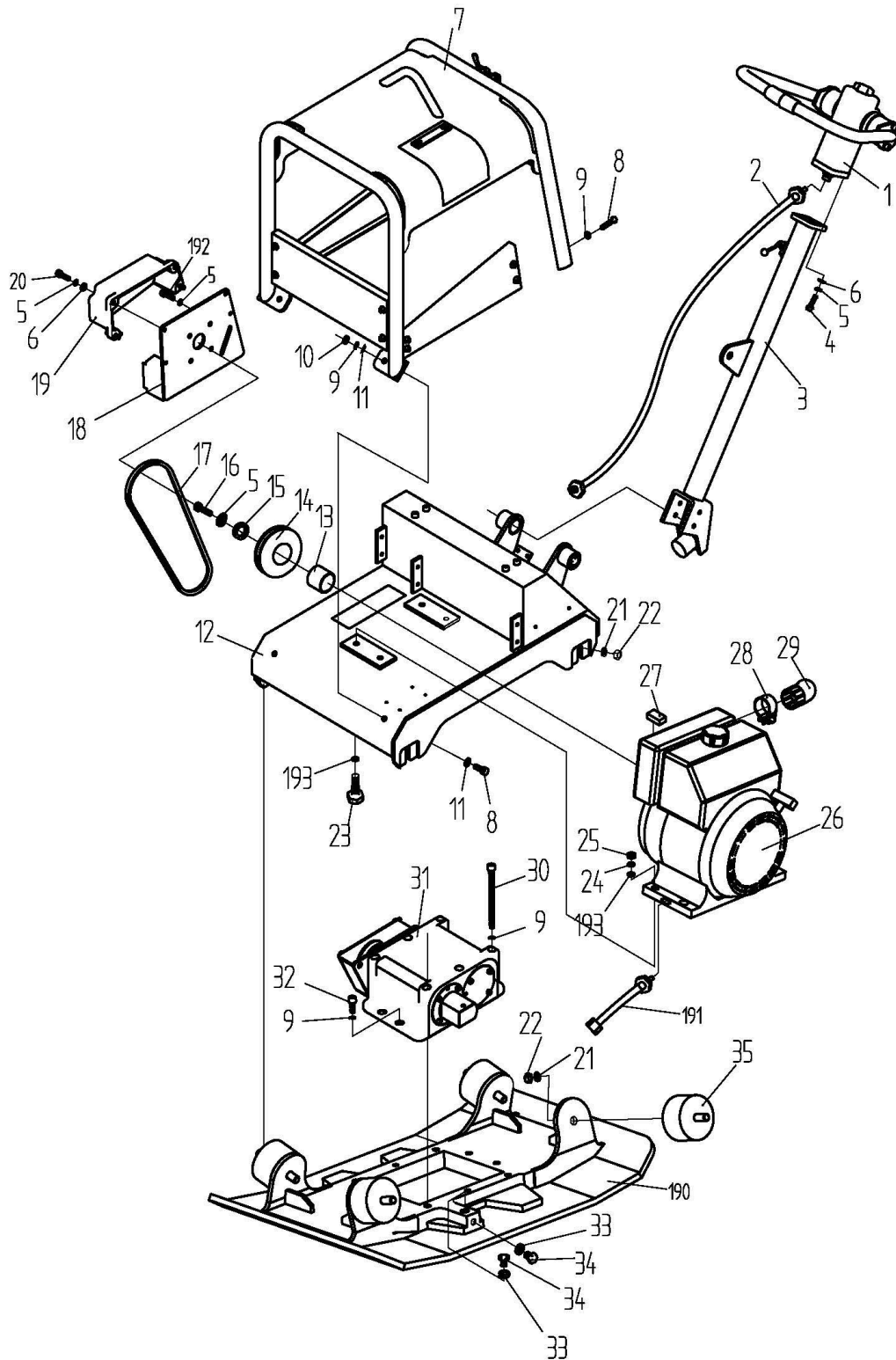
HYDRAULIC REVERSIBLE PLATE COMPACTOR

PCR6550



PARTS LIST 1
PCR6550

GENERAL



MH6040R.BOM01-B

PARTS LIST 1
PCR6550

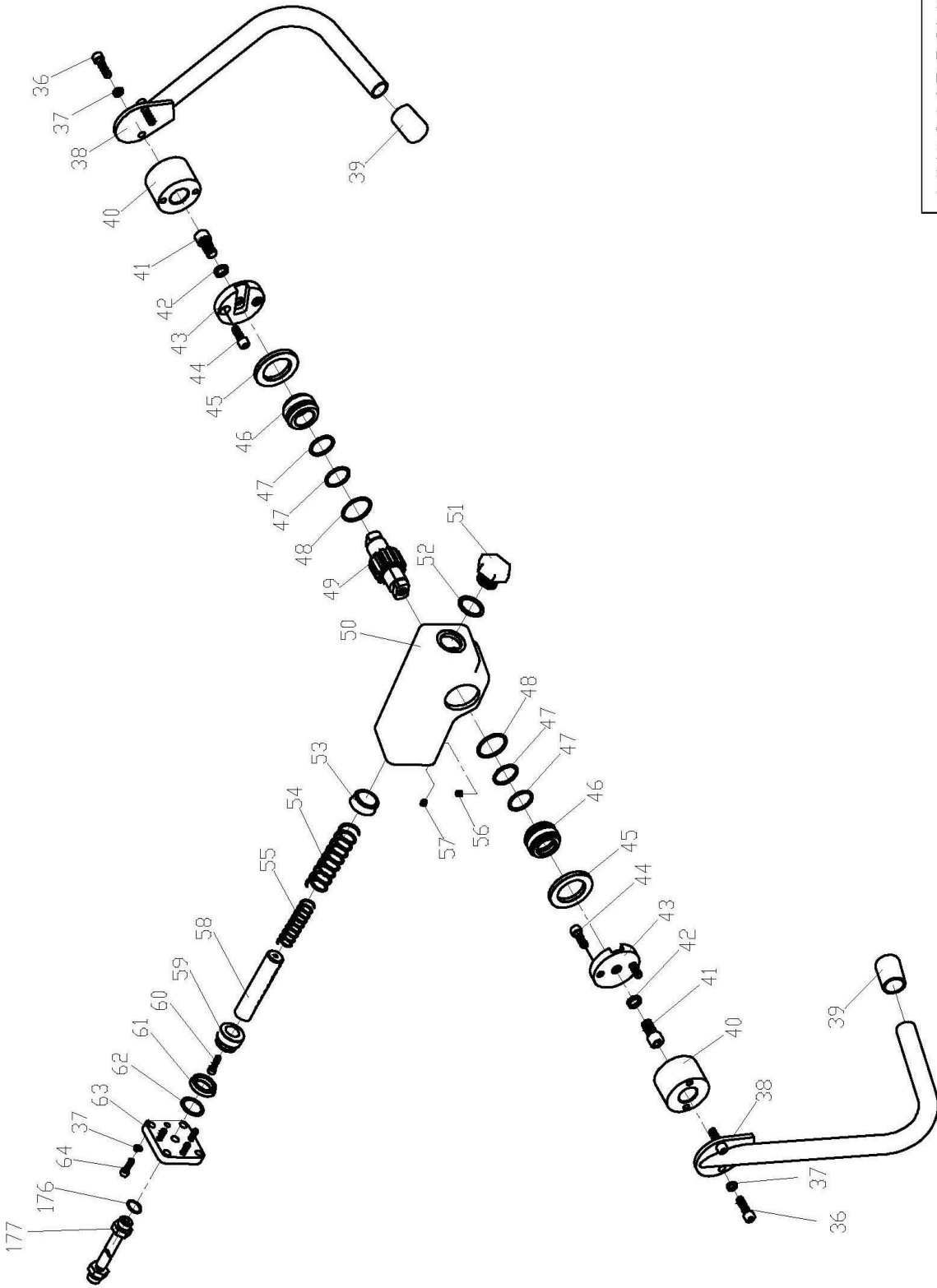
GENERAL

ITEM NO.	PART NO.	DESCRIPTION	ERP NO.	QTY	REMARK
1	MH6040R.04.01B	HYDRAULIC PUMP ASSY		1	
2	MH6040R.20	HYDRAULIC HOSE ASSY	41001033	1	
3	MH6040R.04B	HYDRAULIC HANDLE ASSY	52803002	1	
4	GB70.1-M8x40	SOCKET HEAD SCREW M8X40	20306106	4	
5	GB97.1-8	SPRING WASHER 8	20509006	9	
6	GB93-8	FLAT WASHER 8	20501007	9	
7	MH6040R.05H	PROTECTIVE FRAME ASSY	52803003	1	FOR LD440
	MH6550R.05Z	PROTECTIVE FRAME ASSY	40203002		FOR HATZ
8	GB70.1-M12x35	SOCKET HEAD SCREW M12X35	20306022	4	
9	GB93-12	SPRING WASHER 12	20509009	14	
10	GB889.1-12	LOCK NUT M12	20405006	4	
11	GB97.1-12	FLAT WASHER 12	20501009	8	
12	MH6550R.03A	ENGINE MOUNTING PLATE	40802001	1	FOR LD440
	MH6550R.03Z	ENGINE MOUNTING PLATE	40802051	1	FOR HATZ
13	MH6550R.15Z-YZ	SLEEVE	40504199	1	FOR HATZ
	MH6040R.15	SLEEVE	40507033	1	FOR LD440
14	MH6040R.10A	CLUTCH	52803004	1	
15	MH6040R.14	WASHER	40504052	1	FOR LD440
	MH6550R.14G-YZ	WASHER	40504053		FOR HATZ
16	GB5783-M8x25	BOLT M8X25	20102102	1	FOR LD440
	MH6550R.17G-YZ	BOLT 3/8 (YZ)	20109006		FOR HATZ
17	XPB1094	BELT	21201052		
18	MH6040R.11.02A	COVER BOARD	40303023	1	FOR LD440
	MH6550R.11.02Z	COVER BOARD	40303063	1	FOR HATZ
19	MH6040R.11.01	CLUTCH COVER	41205025		FOR LD440
	MH6550R.11.01Z	CLUTCH COVER	40303063		FOR HATZ
20	GB70.1-M8x25	SOCKET HEAD SCREW M8X25	20306103	4	
21	GB97.1-16	SPRING WASHER 16	20509011	4	
22	GB889-M16	LOCK NUT M16	20405009	4	
23	GB5783-M10x60	BOLT M10X55	20102160	4	
193	GB97.1-10	FLAT WASHER 10	20501009	8	
24	GB97.1-10	SPRING WASHER 10	20509008	4	
25	GB889.1-M10	LOCK NUT M10	20405006	4	
26	LD440	DIESEL ENGINE	/	1	
	IB40	DIESEL ENGINE	/		
27	6.35x50	KEY	/	1	
28	MYS70-F01-120525	CLAMP	41406014	1	
29	MH6040R.28A	OUTLET PIPE	41406014	1	
30	GB70.1-M12x150	SOCKET HEAD SCREW 12X150	20306207	6	

PARTS LIST 2
PCR6550

HYDRAULIC HANDLE ASSY

MH6040R.BOM02-B



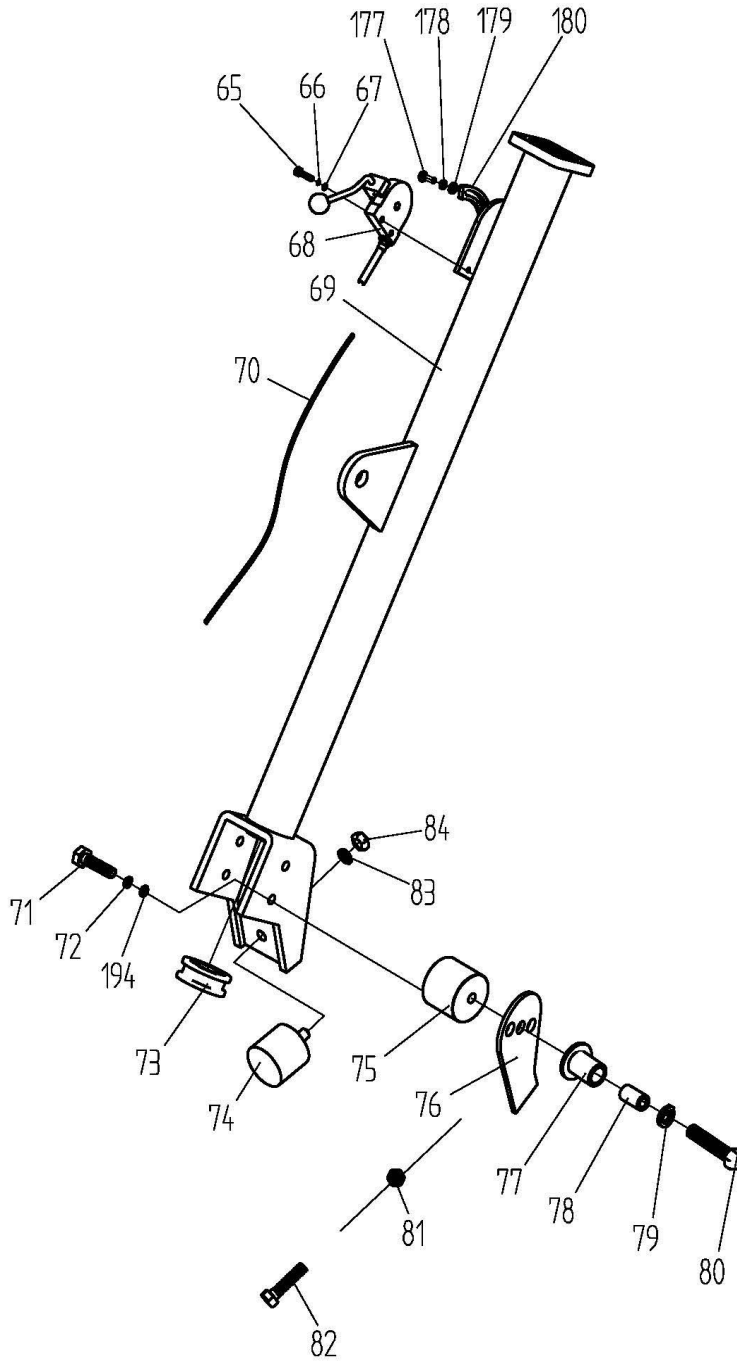
PARTS LIST 2
PCR6550

HYDRAULIC HANDLE ASSY

ITEM NO.	PART NO.	DESCRIPTION	ERP NO.	QTY	REMARK
36	GB70.1-M8x20	SOCKET HEAD SCREW M8X20	20306102	4	
37	GB93-8	SPRING WASHER 8	20509006	8	
38	MH6040R.04.01.10	HANDLE	40305009	2	
39	MH6040R.04.01.02	SLEEVE	41404004	2	
40	MH4025R.04.01.03	SHOCK ABSORBER	41201013	2	
41	GB70.1-M12x25	SOCKET HEAD SCREW M12X25	20306200	2	
42	GB93-12	SPRING WASHER 12	20509009	2	
43	MH4025R.04.01.07	FIXING PLATE	40201019	2	
44	GB70.1-M8x15	SOCKET HEAD SCREW M8X15	20306100	4	
45	MH6040R.04.01.09	NYLON WASHER	41201063	2	
46	MH6040R.04.01.11A	SLEEVE	40507019	2	
47	GB3452.1-26.5x3.55	O RING 26.5x3.55	21101450	4	
48	GB3452.1-36.5x3.55	O RING 36.5x3.55	21101451	2	
49	MH6040R.04.01.03	GEAR SHAFT	40601009	1	
50	MH6040R.04.01.01	CASE, HYDRAULIC PUMP	40901011	1	
51	JB1000-M27x1.5	HEXAGON PLUG SCREW	21103003	1	
52	JB1002-27	GASKET	21105005	1	
53	MH6040R.04.01.02	SLEEVE	40504047	1	
54	MH6040R.04.01.06B	SPRING, OUTER	40103018	1	
55	MH6040R.04.01.05B	SPRING, INNER	40103017	1	
56	GB77-M5x5	RIVET 5X5	20311001	1	
57	GB77-M8x10	RIVET 8X10	20318002	1	
58	MH6040R.04.01.04A	GEAR RACK	40601010	1	
59	MH6040R.04.01.07	PISTON	40507018	1	
60	GB70.1-M12x30	SOCKET HEAD SCREW M12X30	20306201	1	
61	GB10708.1-56x46x7.3	SEALING PACKING	21107004	1	
62	GB3452.1-58x3.55	O RING 58X3.55	21101161	1	
63	MH6040R.04-01.08B	SEAL PLATE	40203107	1	
64	GB70.1-M8x30	SOCKET HEAD SCREW M8X30	20306104	4	

PARTS LIST 3
PCR6550

CONTROLLER ASSY



MH6040R.BOM03-B

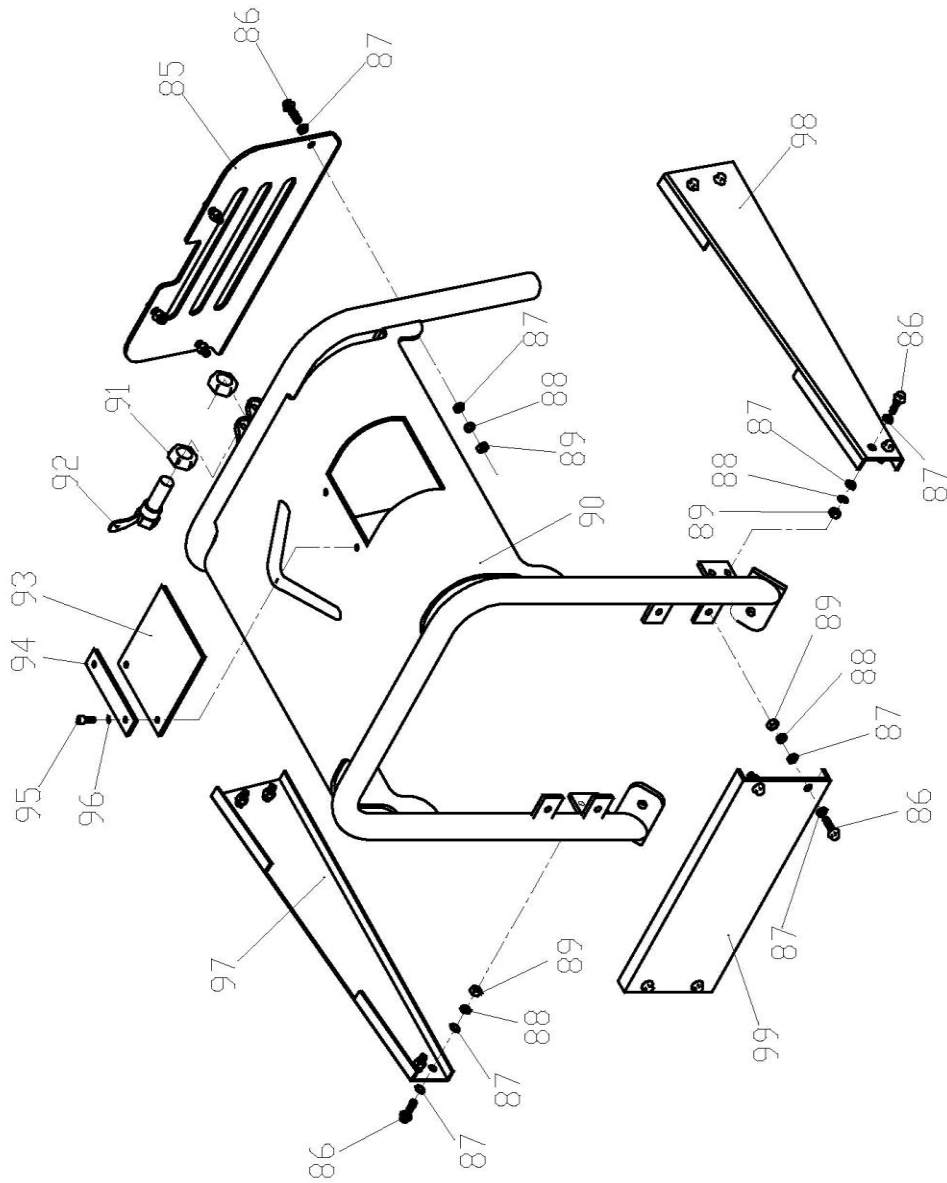
PARTS LIST 3
PCR6550

CONTROLLER ASSY

ITEM NO.	PART NO.	DESCRIPTION	中文名称	QTY
65	GB5783-M6x25	HEX HEAD SCREW M6X25	20102055	2
66	GB93-6	SPRING WASHER 6	20509004	2
67	GB97.1-6	PLAT WASHER 6	20501005	2
68	MH6040R.19B	THROTTLE CONTROL ASSY.	52803006	1
69	MH6040R.04B	HANDLE	52803002	1
70	MH6040R.19.06L-A	THROTTLE CONTROL CABLE	41403034	1
71	GB70.3-M8x20	SOCKET HEAD SCREW M8X20	20308101	4
72	GB93-8	WASHER	20509006	4
194	GB97.1-8	SLEEVE	20501007	4
73	MH4025R.04.02.11	PIPE SLEEVE	41404007	1
74	MH6040R.33	SHOCK ABSORBER	41201033	1
75	MH6040R.07	STOPPER	41201032	2
76	MH6040R.12A-C	STOPPER ASSY. RIGHT	40303014	1
	MH6040R.12B-C	STOPPER ASSY. LEFT	40303015	1
77	MH6040R.08	NYLON SLEEVE	41201062	2
78	MH6040R.09	HANDLE PIPE	40505014	2
79	GB93-16	SPRING WASHER 16	20509011	2
80	GB5783-M16x60	HEX HEAD SCREW M16X60	20102250	2
81	GB41-M10	HEXAGON NUT M10	20401005	2
82	GB5782-M10x60	HEX HEAD SCREW M10X45	20101051	2
83	GB93-10	SPRING WASHER 10	20509008	1

PARTS LIST 4
PCR6550

PROTECTIVE FRAME



MH6040R.B0M04-B

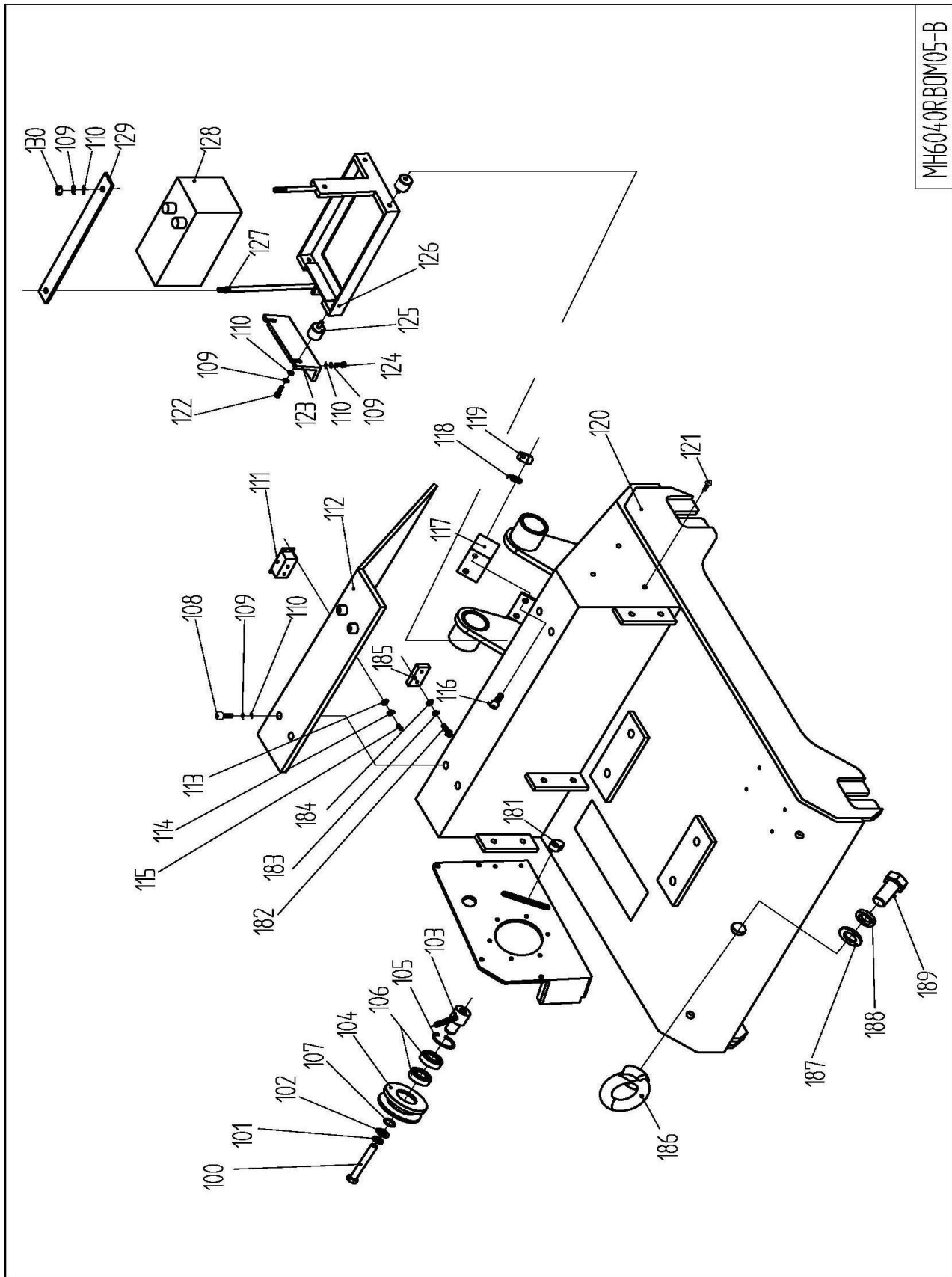
PARTS LIST 4
PCR6550

PROTECTIVE FRAME

ITEM NO.	PART NO.	DESCRIPTION	ERP NO.	QTY	REMARK
85	MH6040R.05.06A	COVER PLATE,BACK	40207138	1	
86	GB5783-M10x30	HEX HEAD SCREW M10X30	20102154	16	
87	GB97.1-10	FLAT WASHER 10	20501009	32	
88	GB93-10	SPRING WASHER 10	20509008	16	
89	GB889.1-M10	HEXAGON LOCK NUT M10	20405006	16	
90	MH6040R.05H	PROTECTIVE FRAME	52803003	1	FOR LD440
	MH6550R.05Z	PROTECTIVE FRAME	40203002	1	FOR HATZ
91	GB6173-M18	HEXAGON NUT		2	TOGETHER WITH LOCATOR
92	170001	LOCATOR	41403025	1	
93	MH4025R.00.10	RUBBER COVER	41203050	1	
94	MH4025R.00.15	RUBBER PLATEN	40203071	1	
95	GB5783-M8x20	HEX HEAD SCREW M8X20	20102101	2	
96	GB93-8	SPRING WASHER 8	20509006	2	
97	MH6040R.05.07B	COVER PLATE,LEFT	40207129	1	
98	MH6040R.05.07A	COVER PLATE,RIGHT	40207128	1	

PARTS LIST 5
PCR6550

ENGINE PLATE



MH6040R.B0M05-B

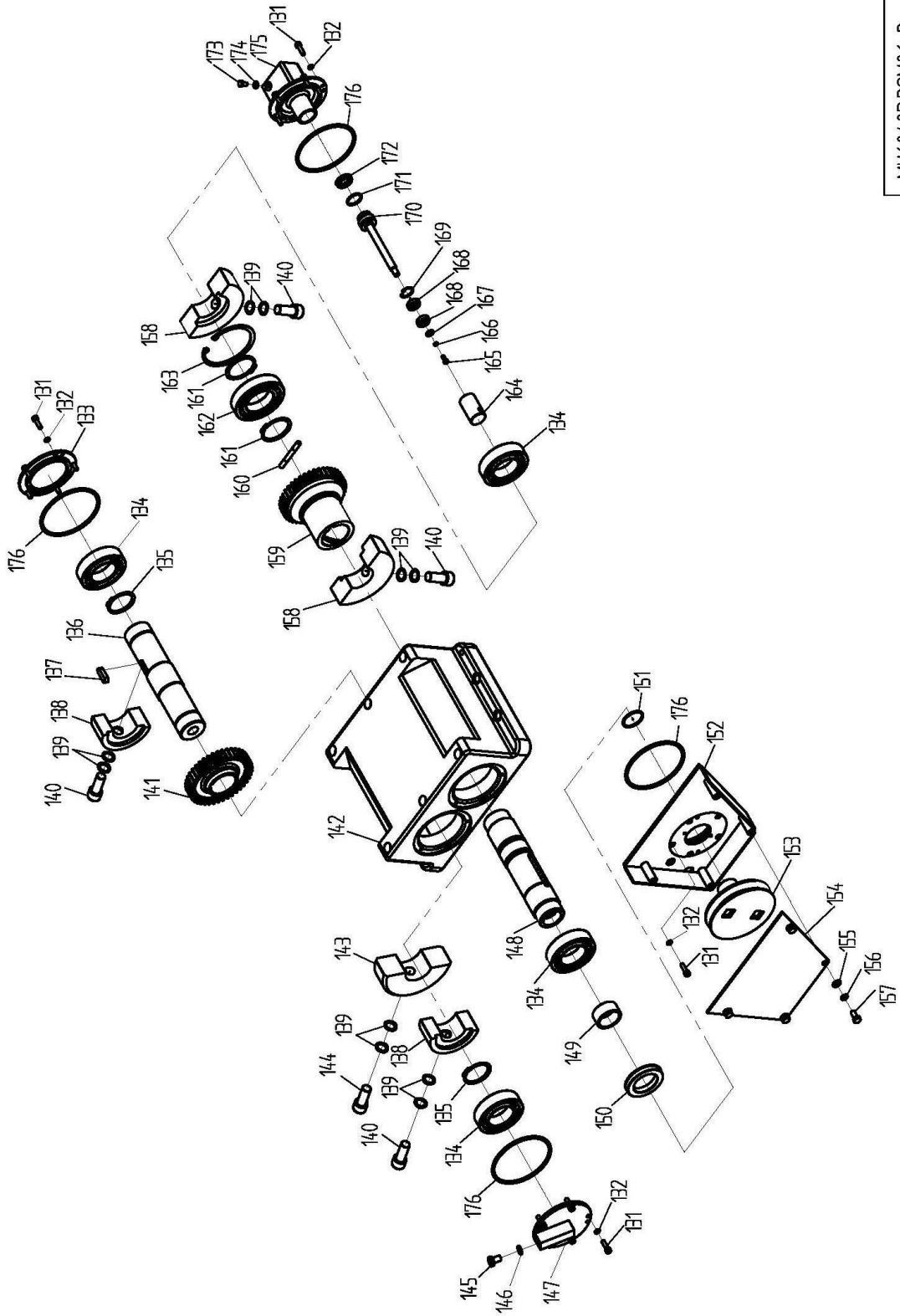
PARTS LIST 5
PCR6550

ENGINE PLATE

ITEM NO.	PART NO.	DESCRIPTION	ERP NO.	QTY	REMARK
100	GB5783-M12x80	BOLT M12x80	20102211	1	
101	GB93-12	SPRING WASHER 12	20509009	1	
102	GB97.1-12	FLAT WASHER 12	20501009	1	
103	MH6040R.06.01B	SHAFT	40402024	1	FOR LD440
	MH6550R.06.01Z	SHAFT	40402110	1	FOR HATZ
104	MH6040R.06.02A	TENSION PULLEY	40607016	1	
105	GB893.1-86-42	RETAINING RING 42	20602007	1	
106	6004ZZ	BEARING	21001005	2	
107	GB894.1-86-20	RETAINING RING 20	20601008	1	
108	GB70.1-M8x15	SOCKET HEAD SCREW M8X15	20306100	9	
109	GB93-8	SPRING WASHER 8	20509006	15	
110	GB97.1-8	FLAT WASHER 8	20501007	15	
111	ENGINE SWITCH	SWITCH		1	TOGETHER WITH ENGINE
112	MH6040R.03.07HJ	BATTERY COVER	40303020	1	FOR LD440
	MH6040R.03.07.01ZHJ	BATTERY COVER	40303115	1	FOR HATZ
113	GB97.1-6	FLAT WASHER 6	20501005	4	
114	GB93-6	SPRING WASHER 6	20509004	4	
115	GB5783-M5x16	HEX HEAD SCREW M5X16	20102002	4	
116	GB5783-M6x50	HEX HEAD SCREW M6X50	20102065	2	TOGETHER WITH CLAMP
117	TAPG-215	CLAMP	41406025	1	
118	GB93-6	SPRING WASHER 6	20509004	2	TOGETHER WITH CLAMP
119	GB889.1-M6	LOCK NUT M6	20405002	2	TOGETHER WITH CLAMP
120	MH6550R.03A	BASE PLATE	40802001	1	FOR LD440
	MH6550R.03Z	BASE PLATE	40802051		FOR HATZ
121	GB70.3-M8x15	SOCKET HEAD SCREW M8X15	20308100	2	
122	GB70.1-M8x20	HEX HEAD SCREW M8X20	20306102	2	
123	MH6040R.03.10.02	BRACKET	40303021	1	
124	GB70.1-M8x15	SOCKET HEAD SCREW M8X15	20308100	9	
125	MH6040R.03.10.07A	SHOCK ABSORBER	41201034	4	
126	MH6040R.03.10.01A	FIXING MOUNT	40302021	1	
127	MH6040R.03.10.05A	STUD	40408002	1	

PARTS LIST 6
PCR6550

VIBRATION BOX ASSY



MH604-OR.BOM06-B

PARTS LIST 6
PCR6550

VIBRATION BOX ASSY

ITEM NO.	PART NO.	DESCRIPTION	ERP NO.	QTY	REMARK
131	GB70.1-M6x20	SOCKET HEAD SCREW M6X20	20306053	20	
132	GB93-6	SPRING WASHER 6	20509004	20	
133	MH6040R.02.08A	BEARING COVER	40502005	1	
134	NJ2210E/C3	BEARING	21004003	4	
135	GB894.1-50	RETAINING RING 50	20601017	2	
136	MH6040R.02.15	DRIVEN SHAFT	40406025	1	
137	GB1096-10x32	KEY 10X32	20901201	1	
138	MH6040R.02.09	ECCENTRIC BLOCK	40705008	2	
139	31.5x16.3x2	GASKET 31.5X16.3X2	20517003	10	
140	GB70-M16x40	SOCKET HEAD SCREW M6X40	20306250	4	
141	MH6040R.02.10	DRIVEN GEAR	40601008	1	
142	MH6040R.02.01A	VIBRATION BOX	40901010	1	
143	MH6040R.02.11	ECCENTRIC BLOCK	40705009	1	
144	GB70-M16x60	HEX HEAD SCREW M16X60	20102250	1	
145	MH6040R.02.12.04	BOLT	40401016	1	
146	GB93-10	SPRING WASHER 10	20509008	1	
147	MH6040R.02.12A	OUTLET COVER ASSY.	40303016	1	
148	MH6040R.02.03	SHAFT	40406024	1	
149	FIR-404822	INNER BEARING	40507030	1	
150	GB13871-048072x10	LIP SEAL	21106010	1	
151	GB3452.1-36x2.65	O RING 36X2.65	21101356	1	
152	MH6040R.02.13D	BELT GUARD	40302020	1	
153	MH6040R.02.14A	PULLEY	40607013	1	
154	MH6040R.02.13.04D	COVER PLATE	40203111	1	
155	GB97.1-8	FLAT WASHER 8	20501007	4	
156	GB93-8	SPRING WASHER 8	20509006	4	
157	GB5783-M8x16	HEX HEAD SCREW M8X16	20102116	4	
158	MH6040R.02.04	ECCENTRIC WEIGHT	40705007	2	
159	MH6040R.02.02	GEAR	40601007	1	
160	MH6040R.02.05	PIN	40402023	1	
161	GB894.1-55	RETAINING RING 55	20601018	2	
162	GB276-6211	BEARING	21001064	1	
163	GB893.1-100	RETAINING RING 100	20602013	1	
164	MH6040R.02.06.02	CONNECTING SLEEVE	40504045	1	
165	GB/T5783-M5x12	SOCKET HEAD SCREW M5X12	20102001	1	
166	GB93-5	SPRING WASHER 5	20509002	1	
167	GB96.2-5	FLAT WASHER 5	20504001	1	
168	609ZZ	BEARING	21001010	2	

169	GB893.1-24	RETAINING RING 24	20602003	1	
170	MH6040R.02.06.01	DRIVE SHAFT	40403003	1	
171	GB3452.1-25x2.65	O RING 25X2.65	21101350	1	
172	GB10708.1-30x20x6.3	GASKET,RUBBER	21107001	1	
173	GB/T5783-M6x12	HEX HEAD SCREW M6X12	20102051	1	
174	JB1002-6	GASKET	21105001	1	
175	MH6040R.02.07A	CYLINDER COVER	40903008	1	
176	GB3452.1-90x2.65	O RING 90X2.65	21101360	4	



MASTERPAC USA

1260 Old Franklin Turnpike
Suite B, Rocky Mount, Virginia 24151, USA
Tel: +1-540-483-2606
E-mail: usa@masterpac.eu

MASTERPAC ASIA:

Add. Weisi Road, Baohe Industrial Estate, P.R.C.
Tel. 86-551-64846601, 64846580
Fax. 86-551-64846616, 64846626
E-mail. sales@masterpac.eu
www.masterpac.eu